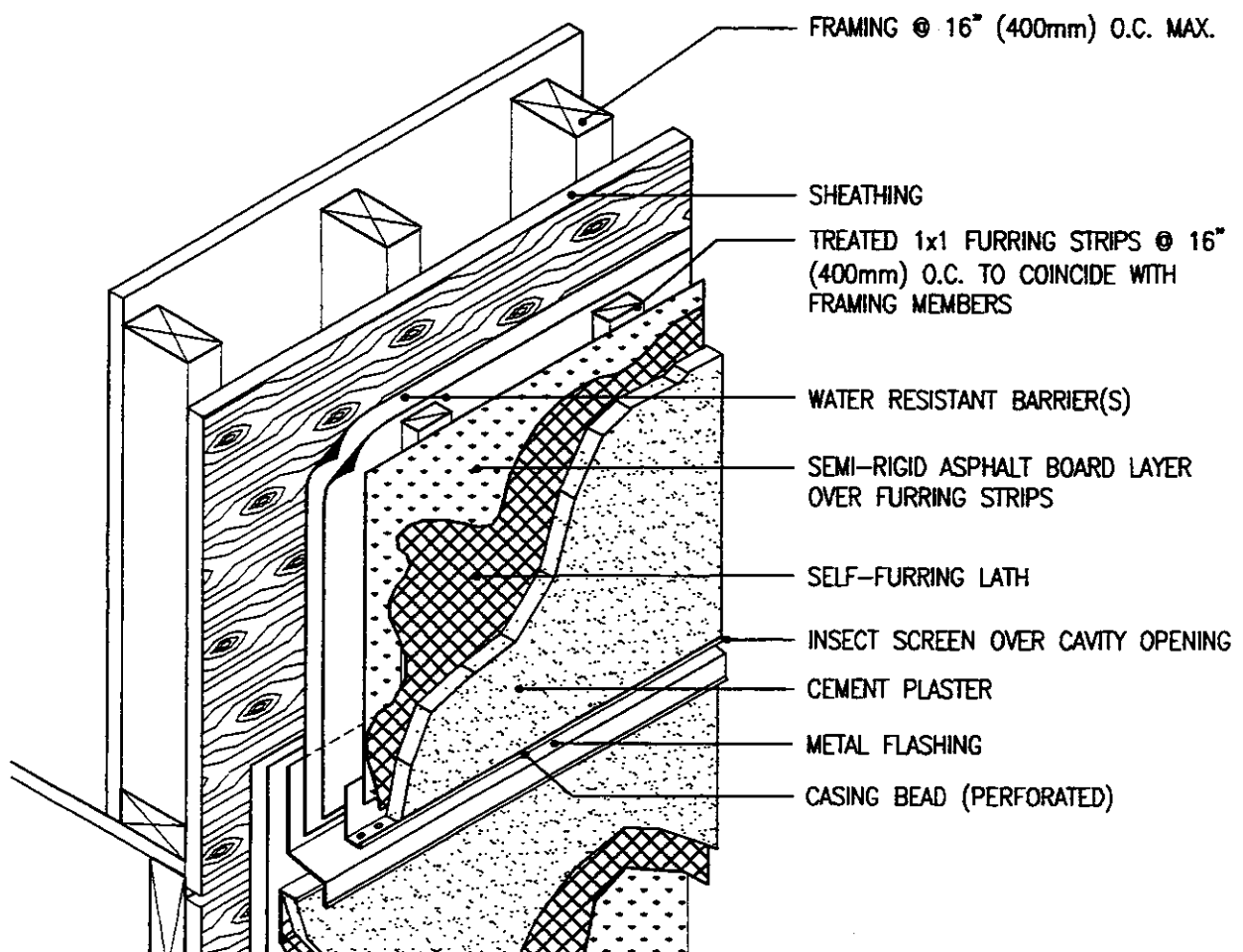


NOTE 1: The Stucco Rainscreen Assembly is an enhanced drainage system, which can accommodate significantly greater amounts of moisture drainage in the cladding Assembly. It incorporates a cavity to provide an open path for water to drain out at flashing points. In addition it allows enhanced levels of drying in the cavity wall assembly, leading to the concept of pressure equalization. As with every stucco system, attention to details, materials and connections is critical in rainscreen construction in order to achieve the design and performance objectives. Details in this Stucco Resource Guide may be adapted to rainscreen assemblies.

NOTE 2: Experience indicates that intermediate strapping to support backerboard @8" (200mm) is beneficial to ensure uniform thickness of cement plaster basecoats.



### DS3 - SEMI-RIDGID RAINSCREEN ASSEMBLY